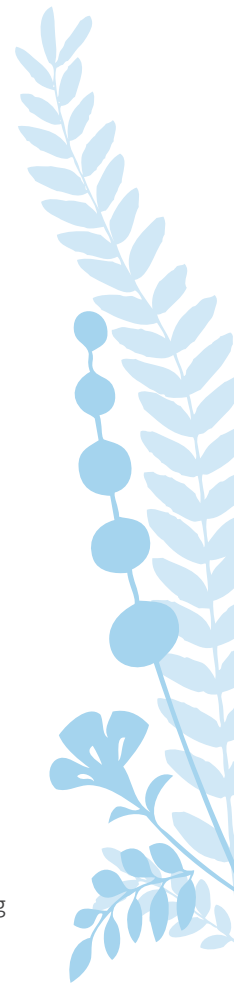


Hillcrest Cemetery is a lawn cemetery set on the hills between Whakatāne and Ōhope.



#### FURTHER INFORMATION:

If you have any questions regarding Hillcrest Cemetery plots, reservations, memorials, or unveiling plans, please contact the Whakatāne District Council's Cemetery Administrator on 07 306 0500.

This brochure is published by the Whakatāne District Council and is intended to provide general information only. It is not intended as a legal document and may not be applicable to all circumstances.

#### WHAKATĀNE DISTRICT COUNCIL

Commerce St, Private Bag 1002,  
Whakatāne 3158, New Zealand  
P 07 306 0500 F 07 307 0718

#### MURUPARA SERVICE CENTRE

Civic Square, Pine St,  
Murupara, New Zealand  
P 07 366 5896 F 07 366 5897

UPDATED: FEBRUARY 2015



[www.whakatane.govt.nz](http://www.whakatane.govt.nz)

COUNCIL FACILITIES

## Hillcrest Cemetery Plots & Memorials



[www.whakatane.govt.nz](http://www.whakatane.govt.nz)



WHAKATĀNE  
District Council  
Kia Whakatāne au i ahau



## HILLCREST CEMETERY PLOTS & MEMORIALS

Hillcrest Cemetery is a lawn cemetery set on the hills between Whakatāne and Ōhope. The cemetery is located in a very peaceful area surrounded by farmland and features large trees and gardens.

Hillcrest offers full-sized burial plots, as well as ashes plots. These are available at the time of interment, or may be reserved by those wishing to plan in advance.

### FULL BURIALS

Full burial plots are 2.4m long by 900mm wide. In the newer sections of Hillcrest, graves are excavated to a depth which will allow for the interment of two caskets.

### ASH BURIALS

Ashes plots are also available in our Lawn Ash and Memorial Ash sections.

Lawn Ash plots allow for a small granite plaque to be installed on the berm, while Memorial Ash plots allow for a small headstone to be installed on the berm.



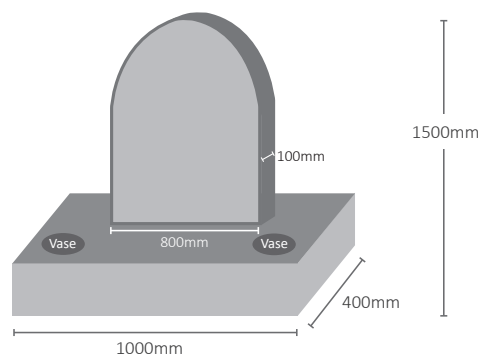
LAWN ASH PLAQUES

## HEADSTONES & PLAQUES

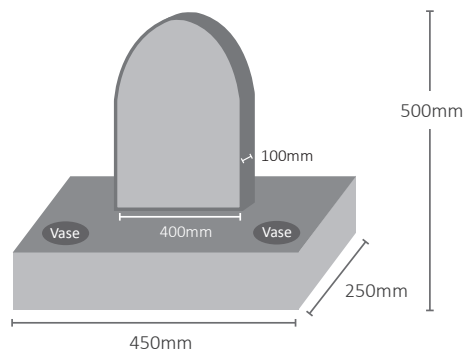
All headstones and plaques installed at Hillcrest Cemetery must fall within the dimensions shown below. Maintenance and upkeep of memorials are the responsibility of the family.

### HEADSTONES

Full burial plots may have a headstone installed on the berm. Headstone dimensions may be up to a maximum of 1500mm high, 1000mm wide and 400mm deep.



Memorial Ash headstone dimensions may be up to a maximum of 500mm high, 450mm wide and 250mm deep.



## PLAQUES

Burial plots in the “Rows” section of Hillcrest Cemetery may have horizontal plaques installed on the berms. The maximum plaque dimensions are 500mm wide by 400mm deep.

Lawn ash plots may have a granite plaque installed on the ash berm. The maximum plaque dimensions are 250mm wide by 150mm deep.

Please note that the costs of headstones, plaques and interments are in addition to the cost of your burial plot.

## MEMORIALS

The Whakatāne District bylaw relating to memorials is designed to allow us to properly care for the lawns and maintain consistency throughout the Hillcrest Cemetery. As Hillcrest is a lawn cemetery, no kerbing, railings, railway ties, shells, planted flowers or other items may be placed on top of a burial plot. The sexton or other Whakatāne District Council staff will need to remove any items which would prevent the establishment of the lawn from two weeks after a burial. Likewise, no private planting of shrubs and flowers are permitted in the gardens behind the ashes berm.



MEMORIAL ASH HEADSTONES